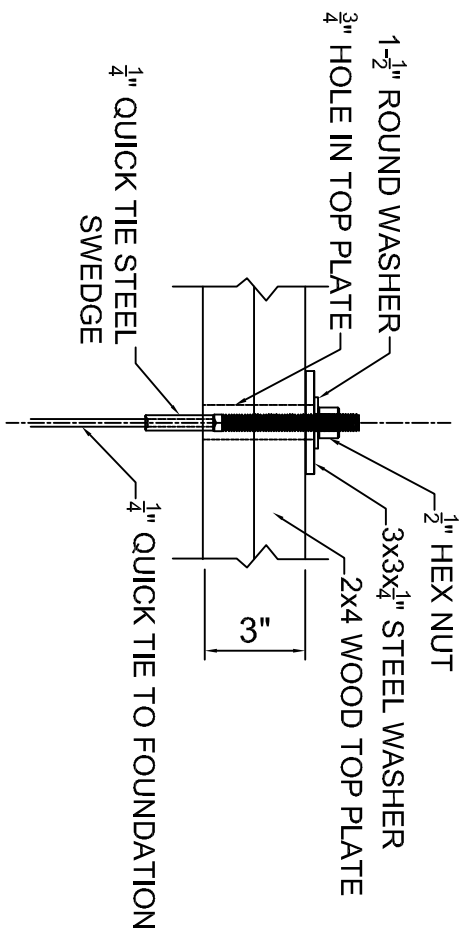
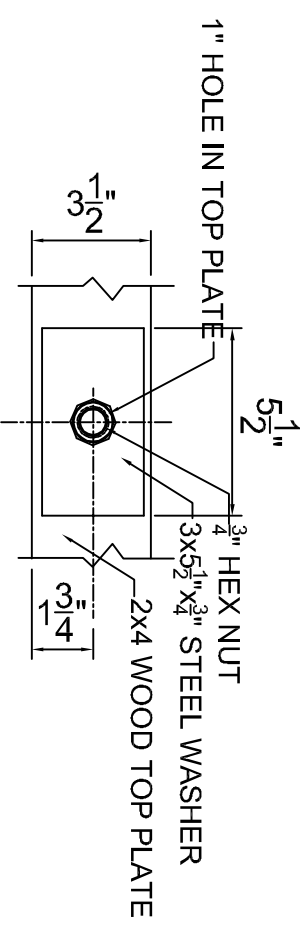


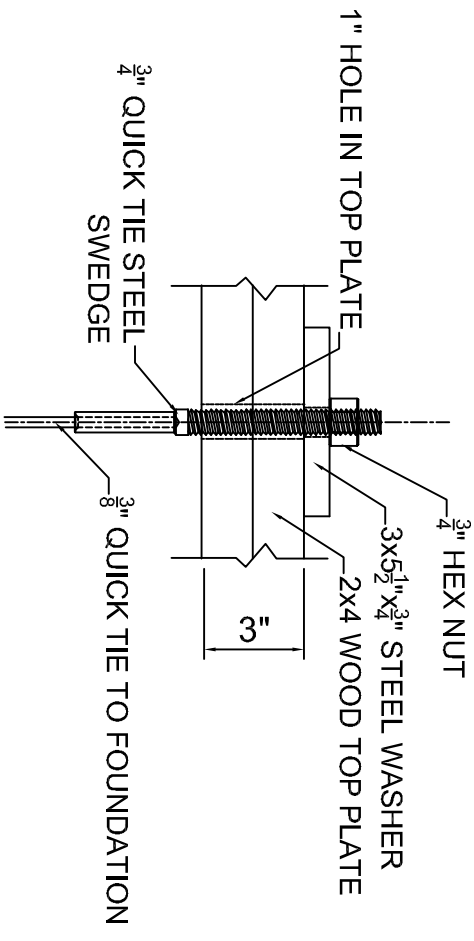
PLAN VIEW



ELEVATION



PLAN VIEW



ELEVATION

QT - TOP PLATE CONNECTION

QT3 - TOP PLATE CONNECTION

# QUICK TIE TOP PLATE CONN. DETAILS